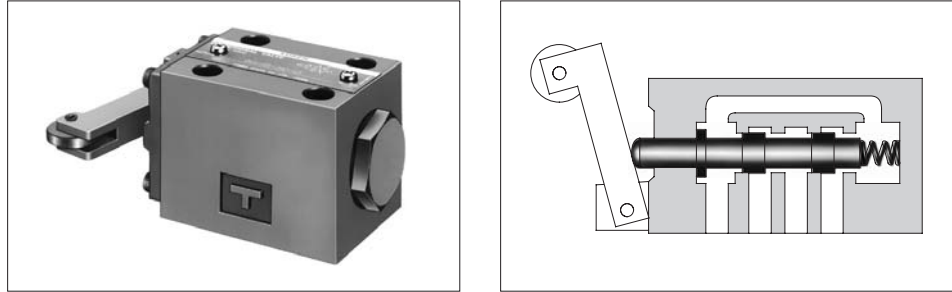


## Cam Operated Directional Valves

These valves may be used to shift the direction of oil flow by depressing the spool by way of a cam.



### Specifications

Model Numbers		Max. Flow ★ L/min (U.S.GPM)	Max. Operating Pressure MPa (PSI)	Max. T-Line Pressure MPa (PSI)	Approx. Mass kg (lbs.)	
Threaded Connection	Sub-plate Mounting				DCT Type	DCG Type
DCT-01-2B*-40*	DCG-01-2B*-40*	30 (7.9)	21 (3050)	7 (1020)	1.1 (2.4)	1.1 (2.4)
DCT-03-2B*-50*	DCG-03-2B*-50*	100 (26.4)	25 (3630)	10 (1450)	4.5 (9.9)	3.8 (8.4)

★ Max. flow indicates the ceiling flow which does not affect the normal function (changeover) of valves.

### Model Number Designation

F-	DC	T	-01	-2	B	2	-R	-40	*
Special Seals	Series Number	Type of Connection	Valve Size	No. of Valve Position	Spool-Spring Arrangement	Spool Type	Roller Position	Design Number	Design Standards
F: Special seals for phosphate ester type fluids (Omit if not required)	DC: Cam Operated Directional Valve	T: Threaded Connection	01	2	B: Spring Offset	2 3 8	None (Normal Position)      R      Y (DC*-01 only) 	40	None: Japanese Standard "JIS" 80: European Design Standard 90: N. American Design Standard None: Japanese Standard "JIS" & European Design Standard 90: N. American Design Standard
			03					50	
		G: Sub-plate Mounting	01					40	
			03					50	

### Sub-plates

Valve Model Numbers	Japanese Standard "JIS"		European Design Standard		N. American Design Standard		Approx. Mass kg (lbs.)
	Sub-plate Model Numbers	Thread Size	Sub-plate Model Numbers	Thread Size	Sub-plate Model Numbers	Thread Size	
DCG-01	DSGM-01-31	Rc 1/8	DSGM-01-3180	1/8 BSP.F	DSGM-01-3190	1/8 NPT	0.8 (1.8)
	DSGM-01X-31	Rc 1/4	DSGM-01X-3180	1/4 BSP.F	DSGM-01X-3190	1/4 NPT	0.8 (1.8)
	DSGM-01Y-31	Rc 3/8	—	—	DSGM-01Y-3190	3/8 NPT	0.8 (1.8)
DCG-03	DSGM-03-41	Rc 3/8	DSGM-03-2180	3/8 BSP.F	DSGM-03-2190	3/8 NPT	3.0 (6.6)
	DSGM-03X-41	Rc 1/2	DSGM-03X-2180	1/2 BSP.F	DSGM-03X-2190	1/2 NPT	3.0 (6.6)
	DSGM-03Y-41	Rc 3/4	DSGM-03Y-2180	3/4 BSP.F	DSGM-03Y-2190	3/4 NPT	4.7 (10.4)

● Sub-plates are available. Specify the sub-plate model number from the table above.  
When sub-plates are not used, the mounting surface should have a good machined finish.



**Mounting Bolts**

Socket head cap screws in the table below are included.

Model Numbers	Socket Head Cap Screw			
	Japanese Standard "JIS" European Design Standard	N. American Design Standard	Qty.	Tightening Torque Nm (in. lbs)
DCT-01	M5 × 45 Lg.	No. 10-24 UNC × 1-3/4 Lg.	2	5-7 (43-60)
DCG-01	M5 × 45 Lg.	No. 10-24 UNC × 1-3/4 Lg.	4	5-7 (43-60)
DCG-03	M6 × 35 Lg.	1/4-20 UNC × 1-1/2 Lg.	4	12-15 (105-130)

**Direction of Oil Flow for Roller Position**

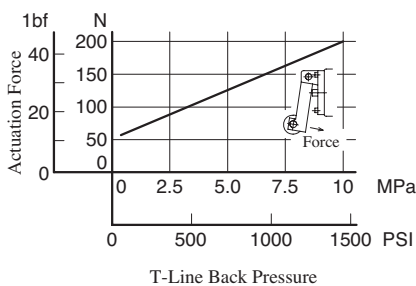
Model Numbers	Graphic Symbols	Roller Position and Direction of Oil Flow	
		Roller Stroke from Offset Position mm(Inches)	
		Extended(Offset)	Depressed
DCT DCG <sup>-01-2B2</sup>		P → B A → T 0 ——— 3.8 (0.150) ——— 4.6 (0.181) ——— 9.5 (0.374)	P → A B → T All ports blocked
DCT DCG <sup>-01-2B3</sup>		P → B A → T 0 ——— 3.8 (0.150) ——— 4.6 (0.181) ——— 9.5 (0.374)	P → A B → T All ports open
DCT DCG <sup>-01-2B8</sup>		P → B A & T ports blocked 0 ——— 3.8 (0.150) ——— 9.5 (0.374)	P → A B & T ports blocked
DCT DCG <sup>-03-2B2</sup>		P → A B → T 0 ——— 3.4 (0.134) ——— 3.8 (0.150) ——— 7 (0.276)	P → B A → T All ports blocked
DCT DCG <sup>-03-2B3</sup>		P → A B → T 0 ——— 3.0 (0.118) ——— 4.0 (0.157) ——— 7 (0.276)	P → B A → T All ports open
DCT DCG <sup>-03-2B8</sup>		P → A B & T ports blocked 0 ——— 3.6 (0.142) ——— 4.7 (0.185) ——— 7 (0.276)	P → B A & T ports blocked All ports blocked

**Instructions**

**Valve Type "2B8"**

Tank port "T" functions as a drain port. Directly connect it to the reservoir. [Max. allowable back pressure 0.35 MPa (50 PSI)].

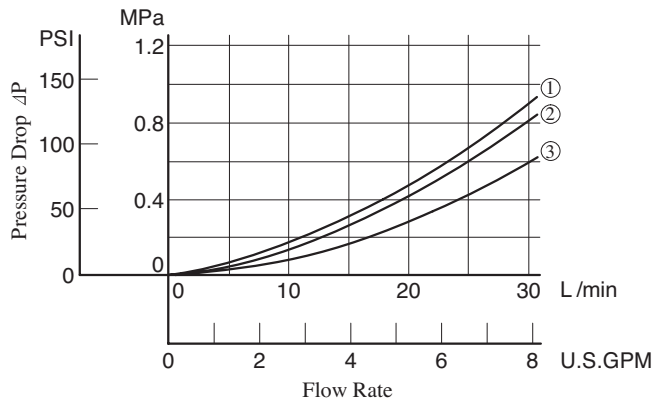
**Actuation Force**



## Pressure Drop

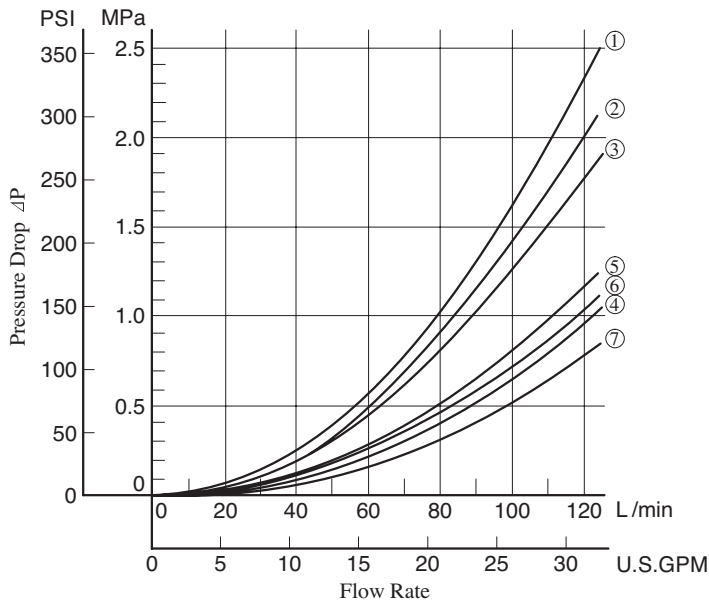
Pressure drop curves based on viscosity of 35 mm<sup>2</sup>/s (164 SSU) and specific gravity of 0.850.

### DCT DCG -01



Model Numbers	Pressure Drop Curve No.			
	P→A	B→T	P→B	A→T
DCT-01-2B2	①	①	②	①
DCT-01-2B3	①	①	②	①
DCT-01-2B8	②	—	②	—
DCG-01-2B2	②	②	③	③
DCG-01-2B3	②	②	③	③
DCG-01-2B8	③	—	③	—

### DCT DCG -03



Model Numbers	Pressure Drop Curve No.			
	P→A	B→T	P→B	A→T
DCG-03-2B2	②	①	④	④
DCG-03-2B3	③	②	⑦	⑦
DCG-03-2B8	⑥	—	⑤	—

● For any other viscosity, multiply the factors in the table below.

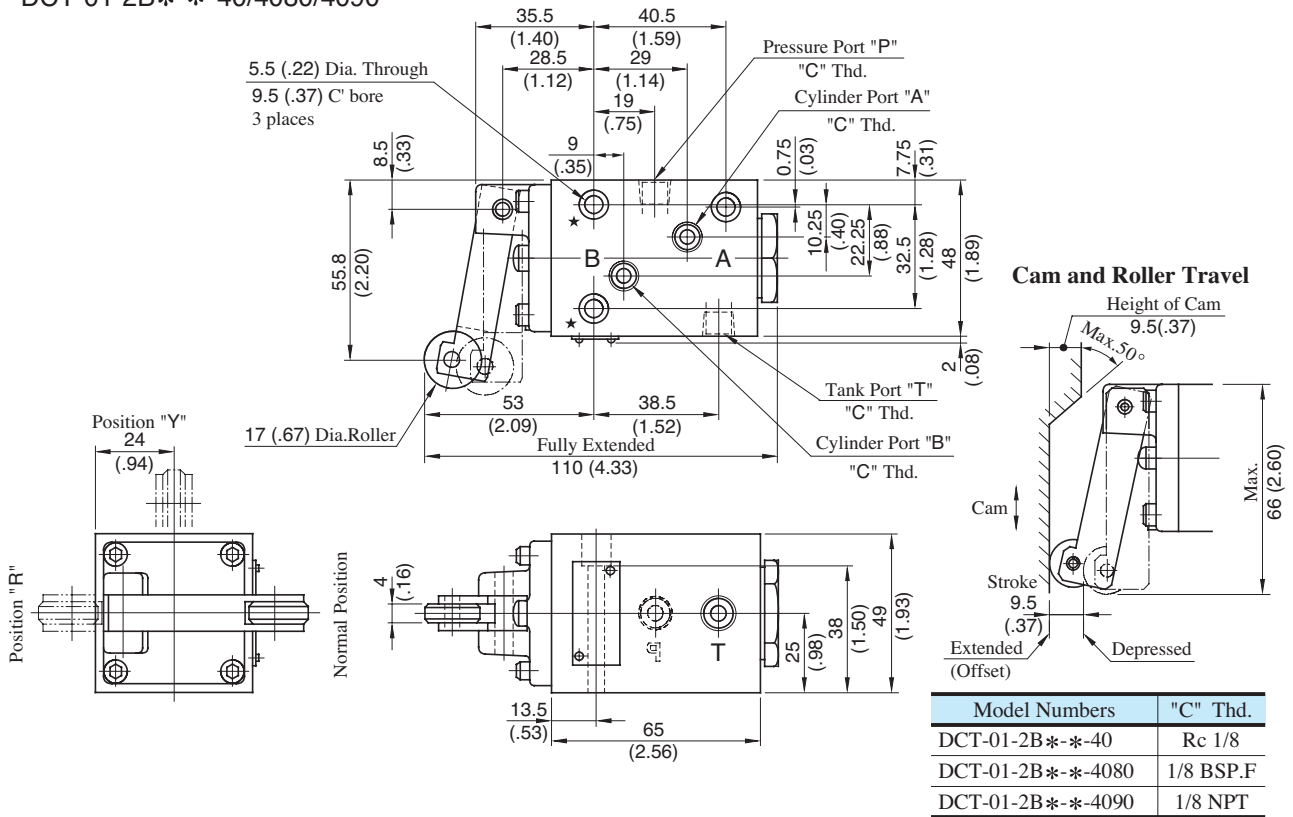
Viscosity	mm <sup>2</sup> /s	15	20	30	40	50	60	70	80	90	100
		SSU	77	98	141	186	232	278	324	371	417
Factor		0.81	0.87	0.96	1.03	1.09	1.14	1.19	1.23	1.27	1.30

● For any other specific gravity (G'), the pressure drop (ΔP') may be obtained from the formula below.

$$\Delta P' = \Delta P (G'/G) \text{ where, } \Delta P \text{ is a value on the above chart and } G \text{ is } 0.850.$$



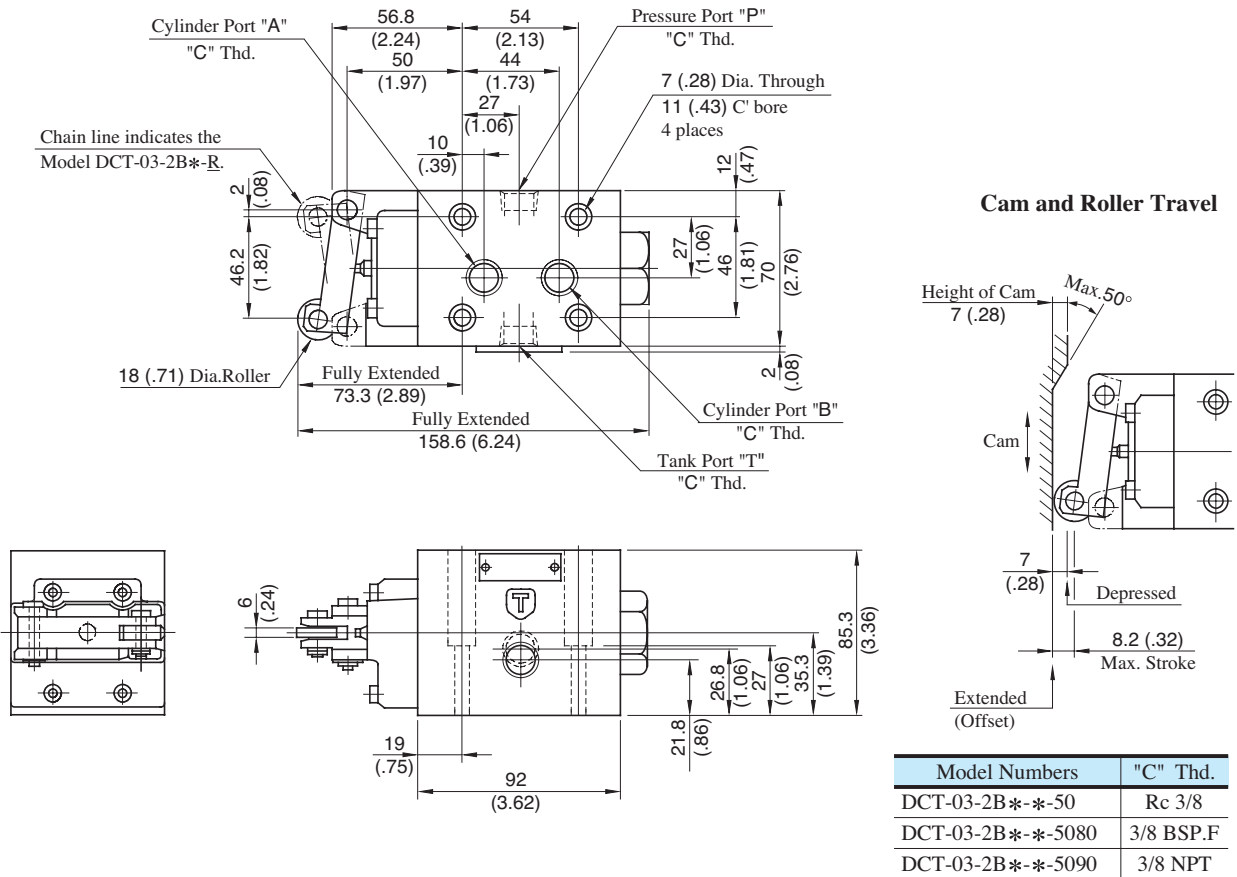
**DCT-01-2B\*-\*-40/4080/4090**



Note: When mounting the valve, be sure to use two mounting holes marked with ★.

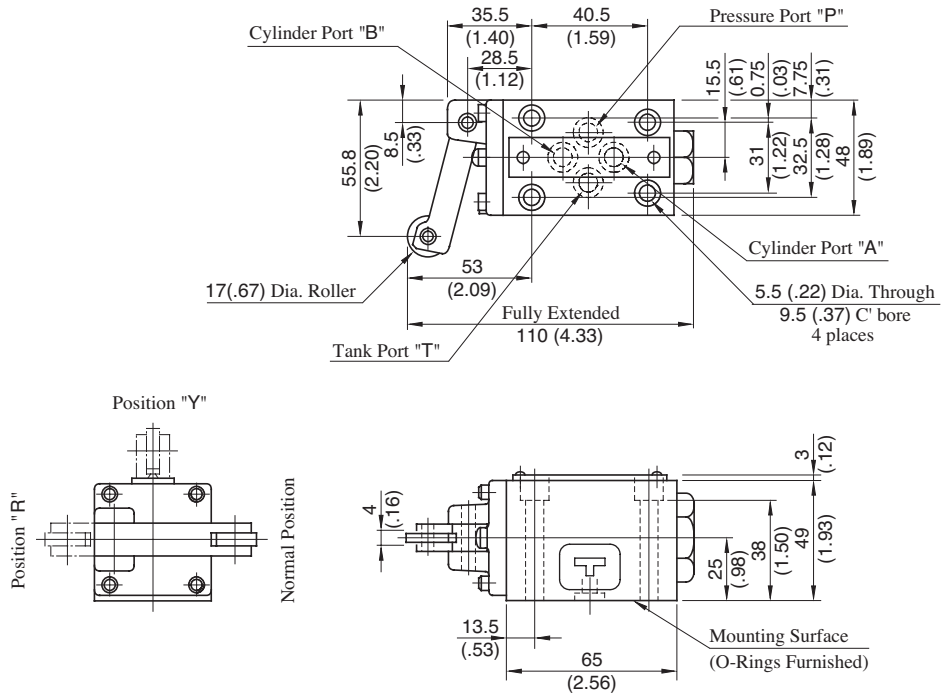
**DIMENSIONS IN MILLIMETRES (INCHES)**

**DCT-03-2B\*-\*-50/5080/5090**



DCG-01-2B\*-\*-40/4090

Mounting Surface: ISO 4401-AB-03-4-A



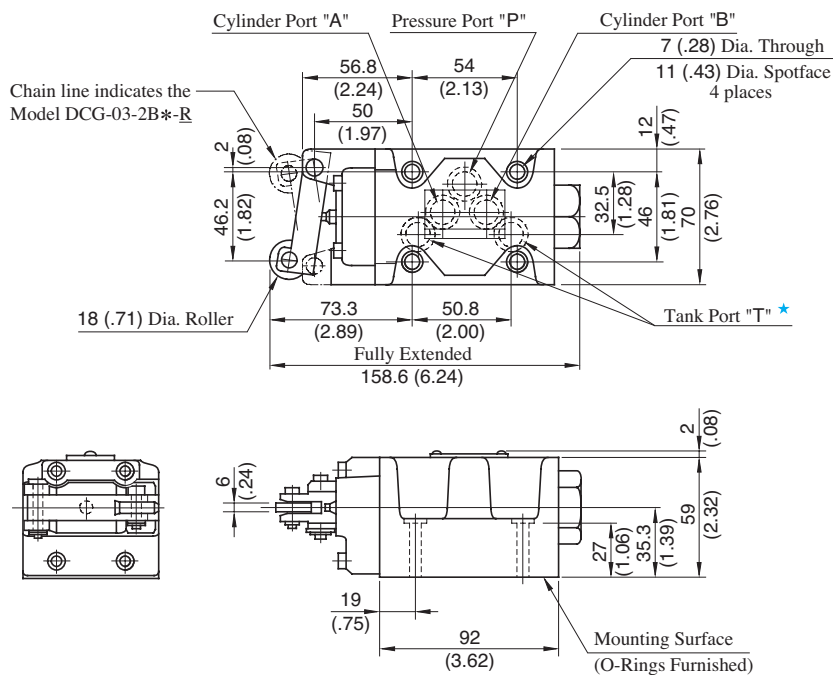
Note1: For the cam and roller travel, see DCT-01 in the [previous page](#).

Note2: For the valve mounting surface dimensions, see the dimensional drawing of the sharable sub-plate in [page 356](#).

**DIMENSIONS IN  
MILLIMETRES (INCHES)**

Mounting Surface: ISO 4401-AC-05-4-A

DCG-03-2B\*-\*-50/5090



★. Although the tank port is shown on the left in our sub-plate, either may be used.

Note1: For the cam and roller travel, see DCT-03 in the [previous page](#).

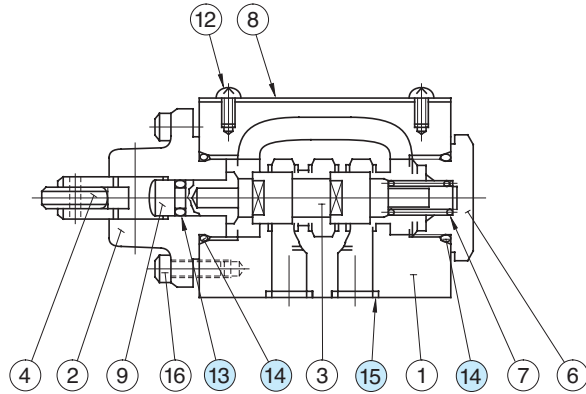
Note2: For the valve mounting surface dimensions, see the dimensional drawing of the sharable sub-plate in [page 373](#).



Mechanically Operated Directional Valves

■ List of Seals

DCT-01-2B\*- \*-40/4080/4090  
DCG-01-2B\*- \*-40/4090



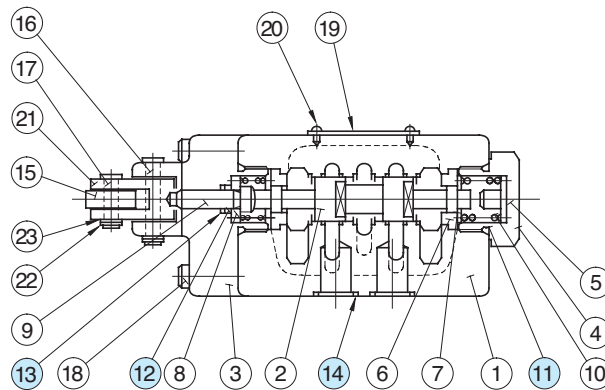
● List of Seal Kit No.

Item	Name of Parts	Part Numbers	Quantity	
			DCT-01	DCG-01
13	O-Ring	SO-NA-P5	1	1
14	O-Ring	SO-NB-P18	2	2
15	O-Ring	SO-NB-P9	0	4

Valve Mdel Numbers	Seal Kit Numbers
DCT-01-2B*- *-40/4080/4090	KS-DCT-01-40
DCG-01-2B*- *-40/4090	KS-DCG-01-40

Note: When ordering the o-rings, please specify the seal kit number from the table right.

DCT-03-2B\*- \*-50/5080/5090  
DCG-03-2B\*- \*-50/5090



● List of Seal Kit No.

Item	Name of Parts	Part Numbers	Quantity	
			DCT-03	DCG-03
11	O-Ring	SO-NB-P21	2	2
12	O-Ring	SO-NA-P6	1	1
13	Back Up Ring	SO-BE-P6	1	1
14	O-Ring	SO-NB-A014	0	5

Valve Mdel Numbers	Seal Kit Numbers
DCT-03-2B*- *-50/5080/5090	KS-DCT-03-50
DCG-03-2B*- *-50/5090	KS-DCG-03-50

Note: When ordering the seals, please specify the seal kit number from the table right.